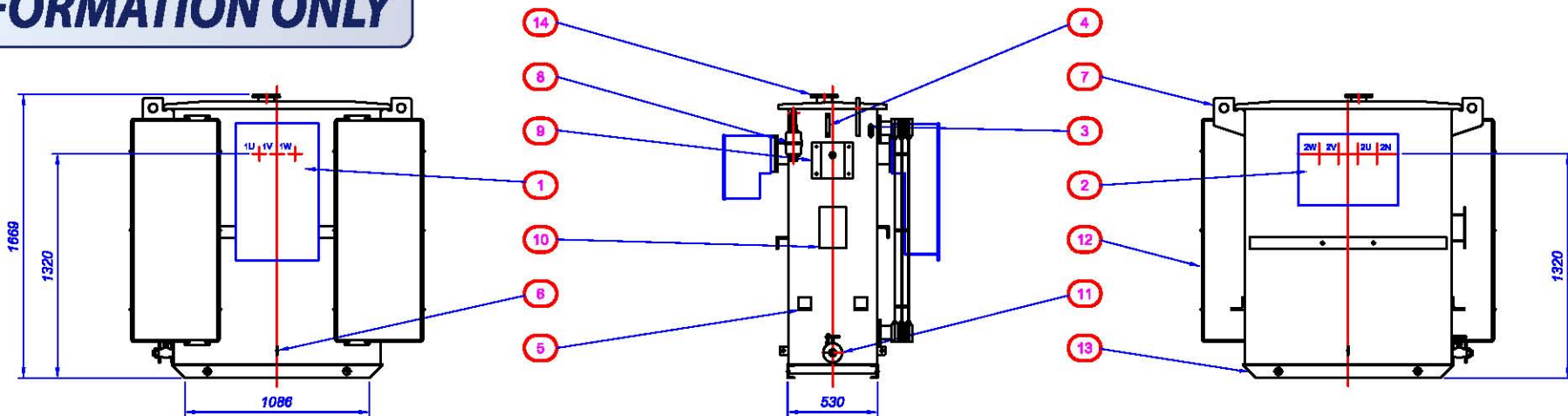
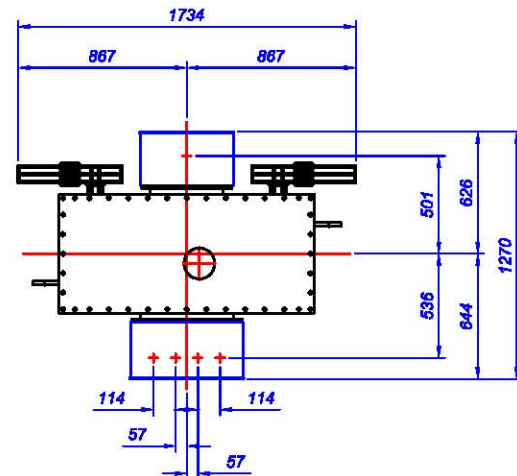
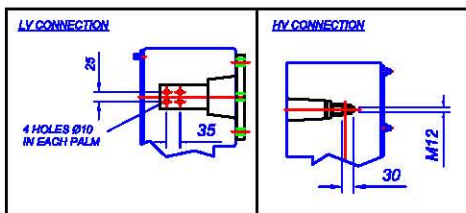


INFORMATION ONLY



NOT APPROVED



ITEM	DESCRIPTION
1	HV CABLE BOX 3 POLE 1 GLAND (TERMINATION KIT REQD)
2	LV CABLE BOX 4 POLE 4 GLAND AIR FILLED
3	THERMOMETER POCKET
4	LIQUID LEVEL GAUGE
5	JACKING ANGLES
6	EARTH TERMINAL (ONE EACH SIDE)
7	MAIN LIFTERS
8	SILICA GEL BREATHER (SUPPLIED LOOSE)
9	TAPPING SELECTOR CONTROL HANDLE (ENCLOSED IN COVER)
10	RATING AND DIAGRAM PLATE
11	1" BSP DRAIN VALVE AND PLUG
12	INTEGRAL TYPE RADIATOR, 1200 CENTRES, 3 PANELS
13	BASE SKIDS DRILLED FOR ROLLER AXLES
14	LIQUID FILLER PLATE

BOWERS JOB No.	-
OUTPUT	500 kVA
VOLTAGE RATIO	11000 / 415
AMPERES	26.24 / 695.6
PHASES	3
FREQUENCY	50Hz
VECTOR SYMBOL	Dyn11

ESTIMATED WEIGHTS	KG
CORE AND WINDINGS	1100
COOLING LIQUID 614 LTRS	510
TOTAL WEIGHT	2130



This drawing is COPYRIGHT and the property of Bowers Electricals Ltd. It must not be copied (in whole or in part) without prior written consent of the company.

TOLERANCE UNLESS OTHERWISE STATED:
 ± 6mm FOR DIMENSIONS UP TO 250mm;
 ± 10mm FOR DIMENSIONS UP TO 1000mm;
 ± 20mm FOR DIMENSIONS OVER 1000mm.

Rev/No	Revision Note	Date	Signed	Checked

Bowers
 Electricals Ltd
 Heaton Gate Road,
 Heaton, Chorley, DE75 7GK
 Tel: 01773 631631 Fax: 01773 716171
 E-mail: enquiries@bowerselec.co.uk

Drawn by **M.NEWTON**
 Checked by **T.BARKS**
 Approved by **A.V.HALL**
 Job No. **STOCK**
 Date **30/11/16**
 Size **A2**

DRG No. BE7472
 GENERAL ARRANGEMENT OF
 500KVA 11000/415v ONAN Dyn11
 ALUMINIUM WOUND
 ECO TRANSFORMER
 FIRST ANGLE
 Scale **1:20**
 Revision **0**
 Sheet **1/1**