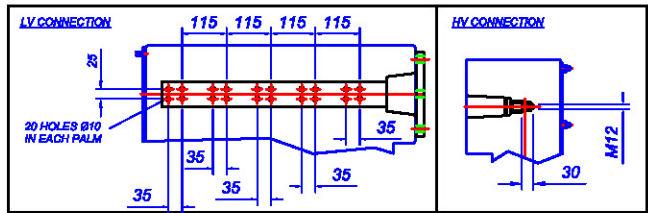
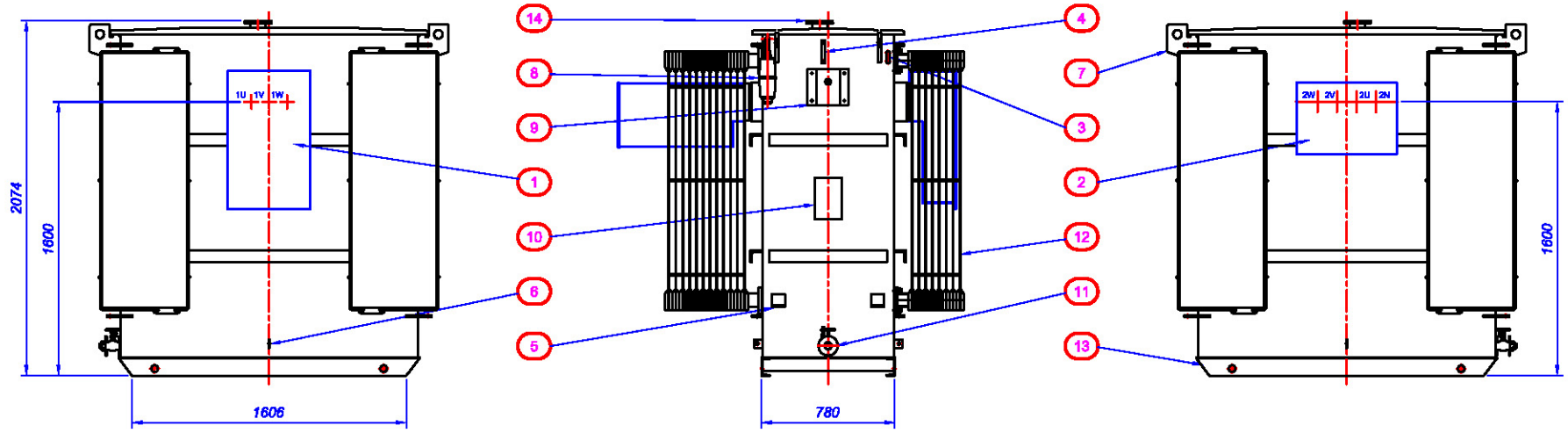
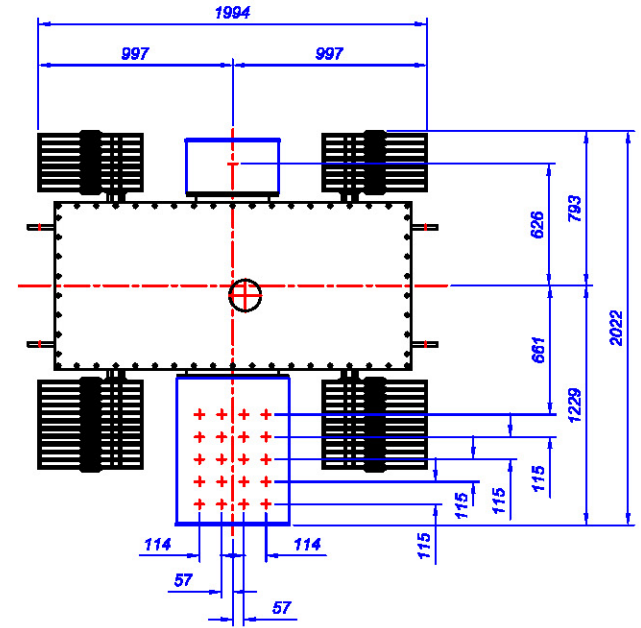


**INFORMATION ONLY**



**NOT APPROVED**



ITEM	DESCRIPTION
1	HV CABLE BOX 3 POLE 1 GLAND (TERMINATION KIT REQD)
2	LV CABLE BOX 4 POLE 20 GLAND AIR FILLED
3	THERMOMETER POCKET
4	LIQUID LEVEL GAUGE
5	JACKING ANGLES
6	EARTH TERMINAL (ONE EACH SIDE)
7	MAIN LIFTERS
8	SILICA GEL BREATHER (SUPPLIED LOOSE)
9	TAPPING SELECTOR CONTROL HANDLE (ENCLOSED IN COVER)
10	RATING AND DIAGRAM PLATE
11	1" BSP DRAIN VALVE AND PLUG
12	INTEGRAL TYPE RADIATOR, 1200 CENTRES, 10 PANELS
13	BASE SKIDS DRILLED FOR ROLLER AXLES
14	LIQUID FILLER PLATE

BOWERS JOB No.	-
OUTPUT	2500 KVA
VOLTAGE RATIO	11000 / 415
AMPERES	131.2 / 3478
PHASES	3
FREQUENCY	50Hz
VECTOR SYMBOL	Dyn11
<b>ESTIMATED WEIGHTS</b>	
CORE AND WINDINGS	3700 KG
COOLING LIQUID	1508 LTRS
TOTAL WEIGHT	6250 KG



This drawing is COPYRIGHT and the property of Bowers Electricals Ltd. It must not be copied (in whole or in part) without prior written consent of the company.

**TOLERANCE UNLESS OTHERWISE STATED.**  
 ± 5mm FOR DIMENSIONS UP TO 250mm;  
 ± 10mm FOR DIMENSIONS UP TO 1000mm;  
 ± 20mm FOR DIMENSIONS OVER 1000mm.

Rev/No	Revision Note	Date	Signed	Checked

**Bowers**  
 Electricals Ltd  
 Heaton Gate Road,  
 Heaton, Derbyshire, DE75 7GK  
 Tel: 01773 831831 Fax: 01773 716171  
 E-mail: enquiries@bowerselec.co.uk

Drawn by T.BARKS  
 Checked by M.N.  
 Approved by A.H.  
 Job No. STOCK  
 Date 17/05/16  
 Size A2  
**GENERAL ARRANGEMENT OF 2500KVA 11000/415v ONAN Dyn11 COPPER WOUND ECO TRANSFORMER**

**DRG No. BE7299**  
 FIRST ANGLE  
 Scale 1:20  
 Revision 0  
 Sheet 1/1