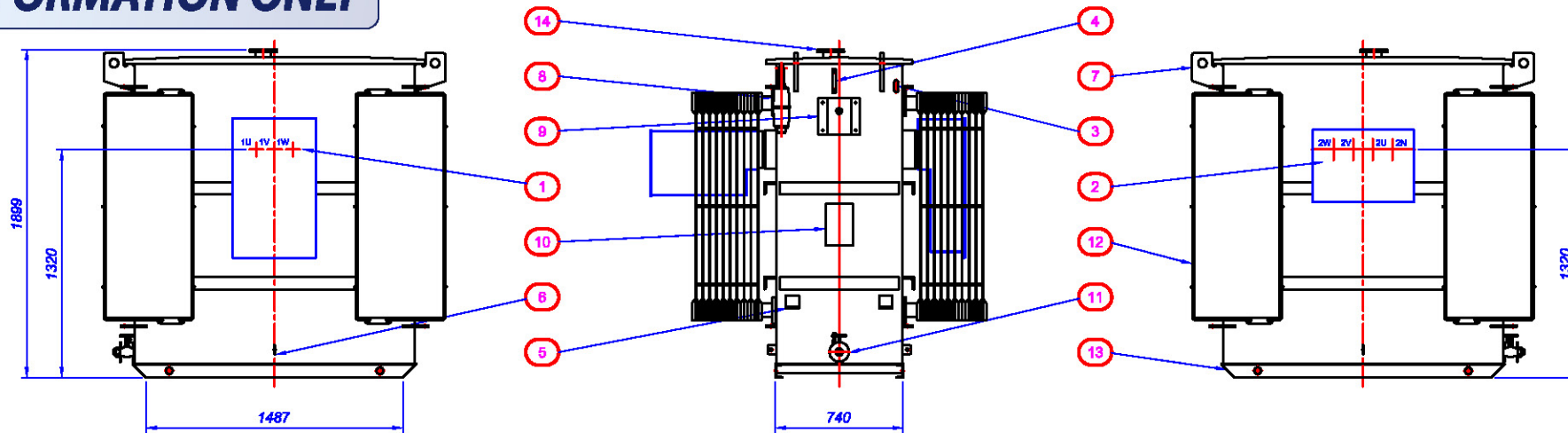
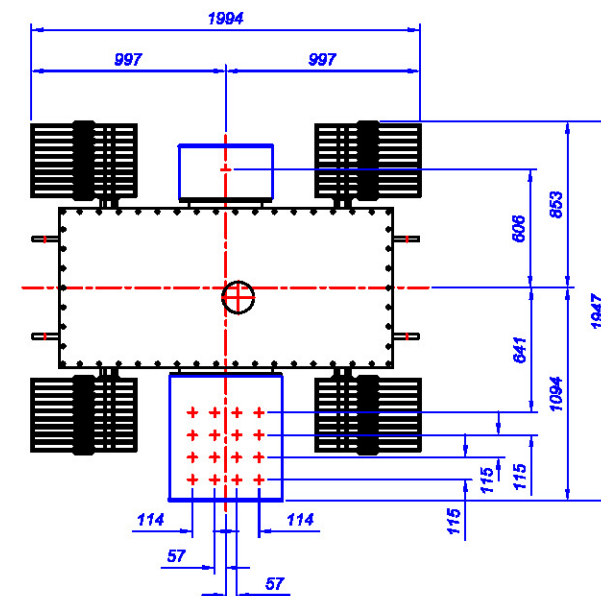
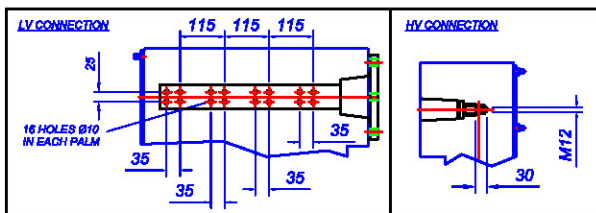


INFORMATION ONLY



NOT APPROVED



ITEM	DESCRIPTION
1	HV CABLE BOX 3 POLE 1 GLAND (TERMINATION KIT REQD)
2	LV CABLE BOX 4 POLE 16 GLAND AIR FILLED
3	THERMOMETER POCKET
4	LIQUID LEVEL GAUGE
5	JACKING ANGLES
6	EARTH TERMINAL (ONE EACH SIDE)
7	MAIN LIFTERS
8	SILICA GEL BREATHER (SUPPLIED LOOSE)
9	TAPPING SELECTOR CONTROL HANDLE (ENCLOSED IN COVER)
10	RATING AND DIAGRAM PLATE
11	1" BSP DRAIN VALVE AND PLUG
12	INTEGRAL TYPE RADIATOR, 1200 CENTRES, 10 PANELS
13	BASE SKIDS DRILLED FOR ROLLER AXLES
14	LIQUID FILLER PLATE

BOWERS JOB No.	-
OUTPUT	2000 kVA
VOLTAGE RATIO	11000 / 415
AMPERES	105.0 / 2782
PHASES	3
FREQUENCY	50Hz
VECTOR SYMBOL	Dyn11

ESTIMATED WEIGHTS		KG
CORE AND WINDINGS		2800
COOLING LIQUID	1289 LTRS	1070
TOTAL WEIGHT		5000



This drawing is COPYRIGHT and the property of Bowers Electricals Ltd. It must not be copied (in whole or in part) without prior written consent of the company.

TOLERANCE UNLESS OTHERWISE STATED:
 ± 5mm FOR DIMENSIONS UP TO 250mm;
 ± 10mm FOR DIMENSIONS UP TO 1000mm;
 ± 20mm FOR DIMENSIONS OVER 1000mm.

RevNo	Revision Note	Date	Signed	Checked

Bowers
 Electricals Ltd
 Heaton Gate Road,
 Heaton, Derbyshire, DE75 7GX
 Tel: 01773 531831 Fax: 01773 718171
 E-mail: enquiries@bowerselec.co.uk

Drawn by M. NEWTON	Checked by T. BARKS	Approved by A.V. HALL	Job No. STOCK	Date 03/12/16	Size A2
GENERAL ARRANGEMENT OF 2000KVA 11000/415v ONAN Dyn11 ALUMINIUM WOUND ECO TRANSFORMER			DRG No. BE7478		
FIRST ANGLE			Scale 1:20	Revision 0	Sheet 1/1