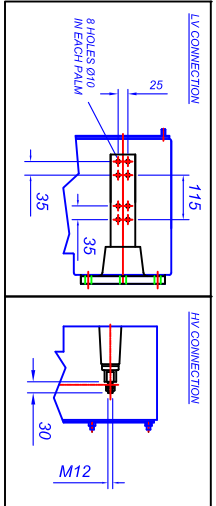
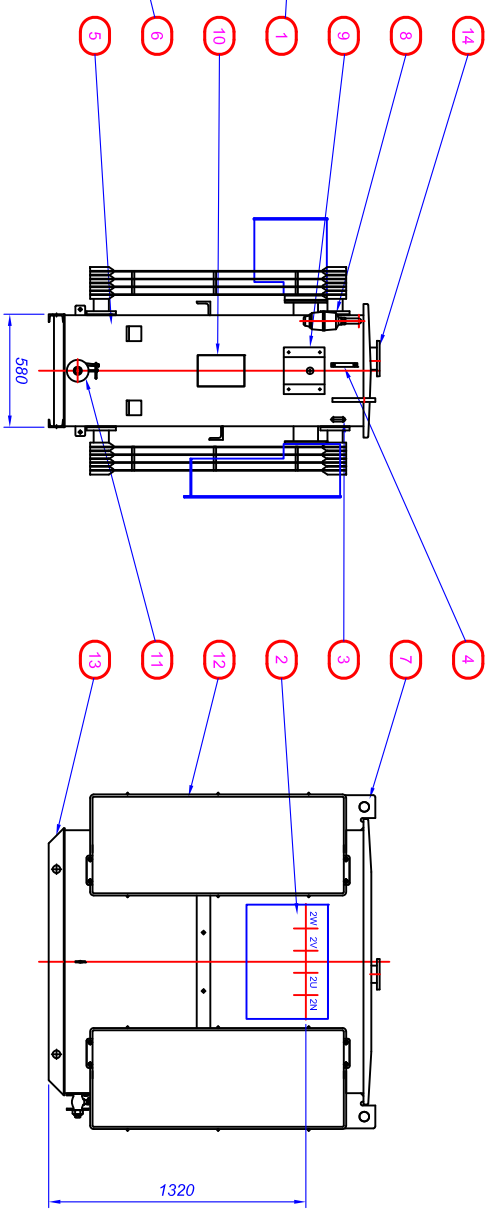
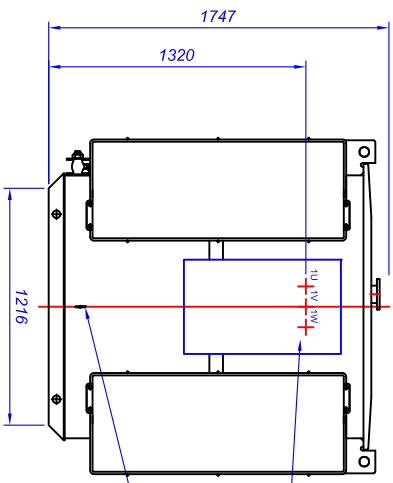


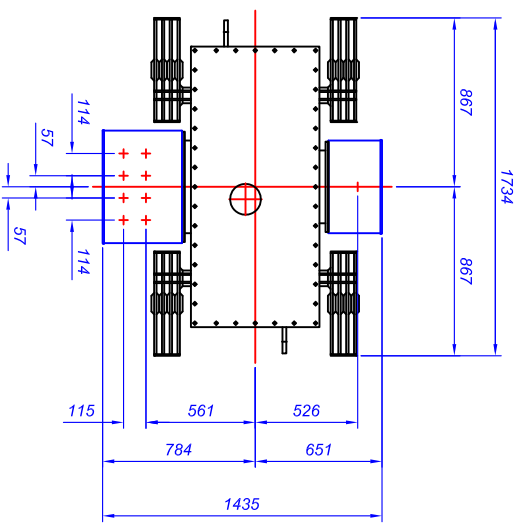
INFORMATION ONLY



NOT APPROVED

ITEM	DESCRIPTION
1	HV CABLE BOX 3 POLE 1 GLAND (TERMINATION KIT REQD)
2	LV CABLE BOX 4 POLE 8 GLAND AIR FILLED
3	THERMOMETER POCKET
4	LIQUID LEVEL GAUGE
5	JACKING ANGLES
6	EARTH TERMINAL (ONE EACH SIDE)
7	MAIN LEITERS
8	SILICA GEL BREATHER (SUPPLIED LOOSE)
9	TAPPING SELECTOR CONTROL HANDLE (ENCLOSED IN COVER)
10	RATING AND DIAGRAM PLATE
11	1" BSP DRAIN VALVE AND PLUG
12	INTEGRAL TYPE RADIATOR, 1200 CENTRES, 4 PANELS
13	BASE SKIDS DRILLED FOR ROLLER AXLES
14	LIQUID FILLER PLATE

BOWERS JOB No.	-
OUTPUT	800 kVA
VOLTAGE RATIO	11000 / 415
AMPERES	41.99 / 1113
PHASES	3
FREQUENCY	50Hz
VECTOR SYMBOL	Dyn11
ESTIMATED WEIGHTS	KG
CORE AND WINDINGS	1670
COOLING LIQUID 711 LTRS	570
TOTAL WEIGHT	2940



This drawing is COPYRIGHT and the property of Bowers Electricals Ltd. It must not be copied (in whole or in part) without prior written consent of the company. ©

TOLERANCE UNLESS OTHERWISE STATED
 ±5mm FOR DIMENSIONS UP TO 250mm;
 ±10mm FOR DIMENSIONS UP TO 1000mm;
 ±20mm FOR DIMENSIONS OVER 1000mm.

Rev/No	Revision Note	Date	Spined	Checked

Bowers Electricals Ltd
 Hainor Gate Road, DE75 7GX
 Tel: 01773 231531 Fax: 01773 716171
 Email: enquiries@bowerselec.co.uk

Drawn by M NEWTON	Checked by T BARKS	Approved by A J HALL	Job No STOCK	Date 30/1/16	Size A2
GENERAL ARRANGEMENT OF 800kVA 11000/415v OLAN Dyn11 ALUMINIUM WOUND ECO TRANSFORMER			DRG No. BE7473	Scale 1:20	Revision 0
FIRST ANGLE			Sheet 1/1		