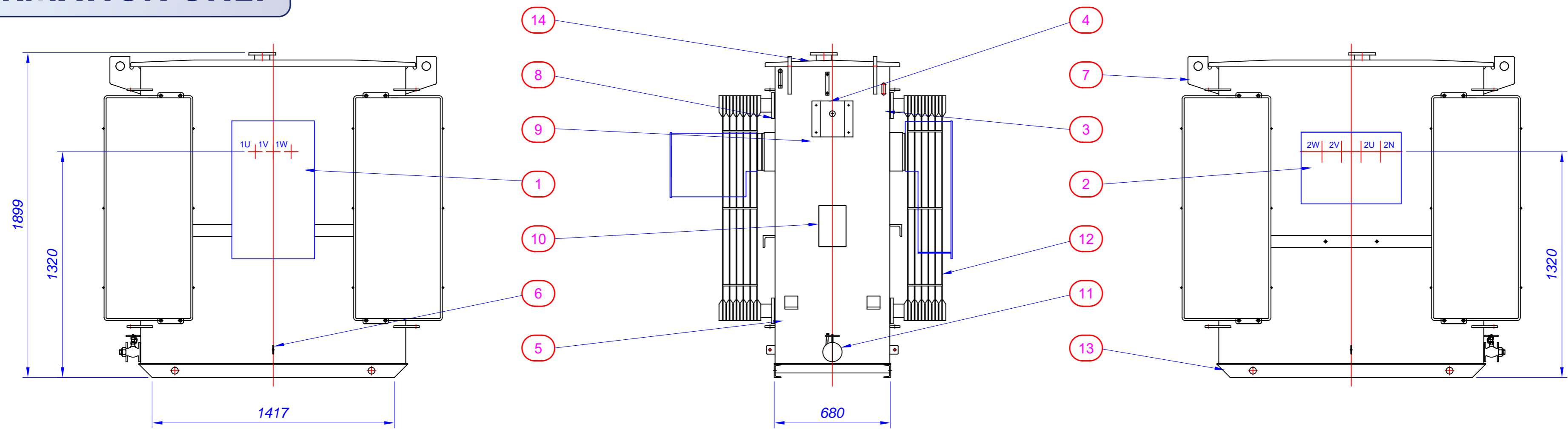
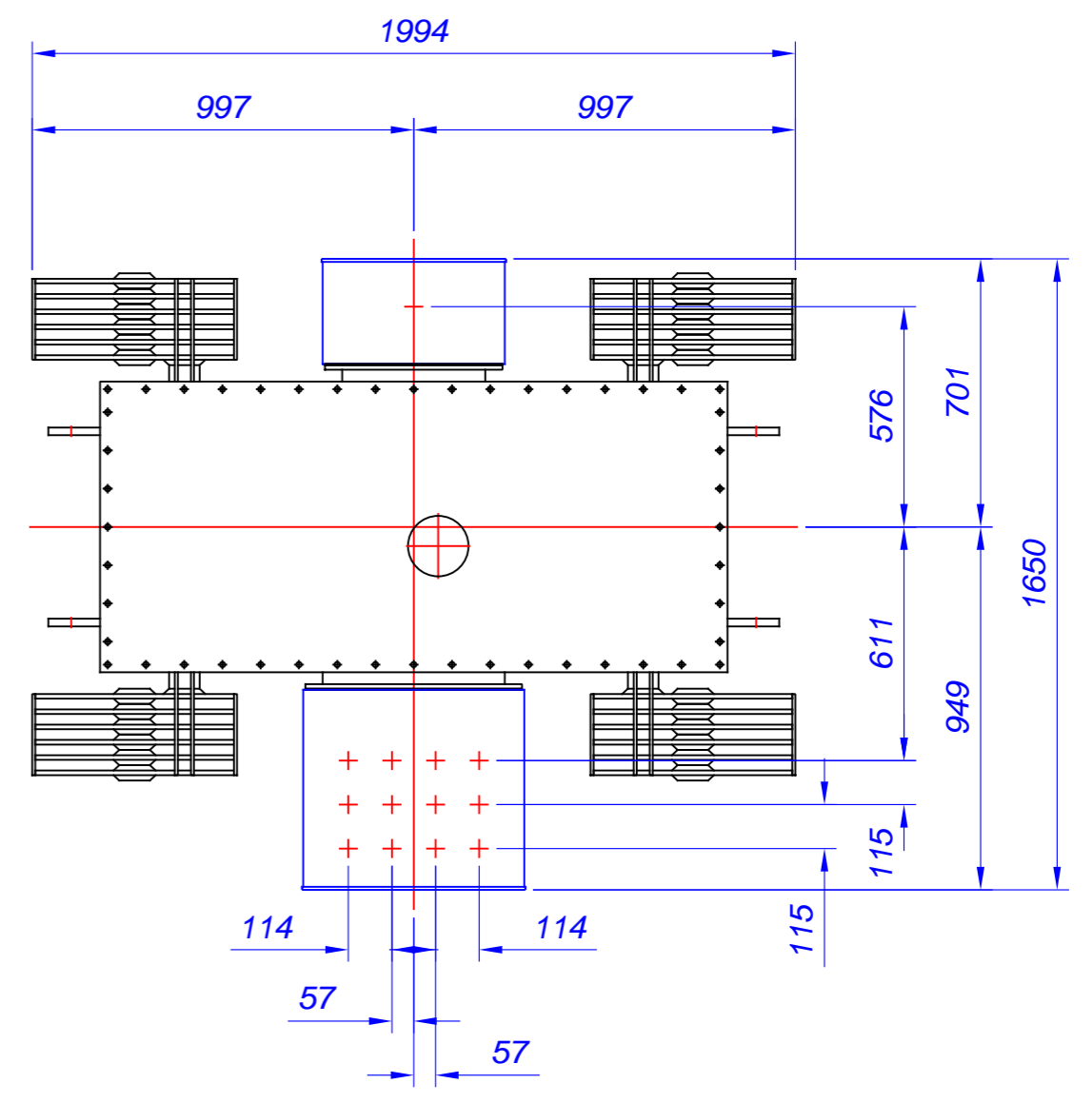
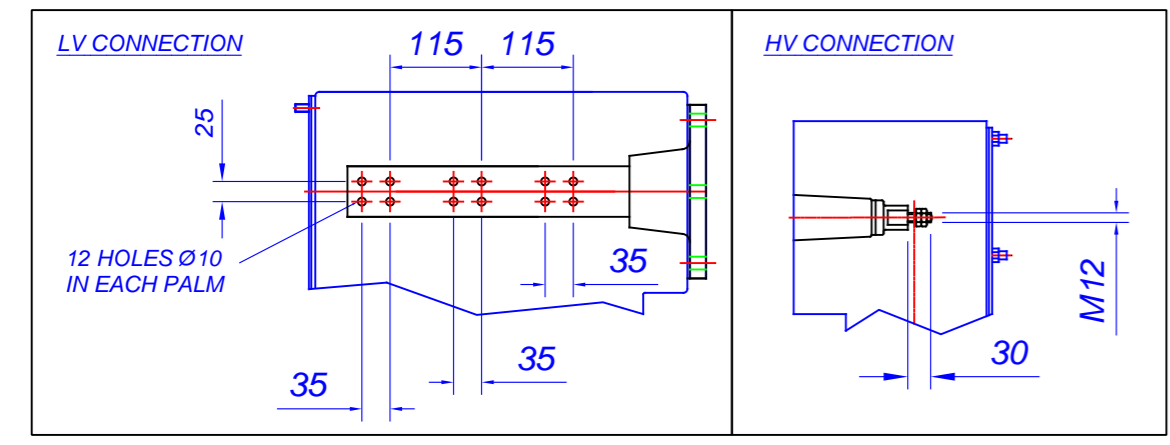


INFORMATION ONLY



NOT APPROVED



ITEM	DESCRIPTION
1	HV CABLE BOX 3 POLE 1 GLAND (TERMINATION KIT REQD)
2	LV CABLE BOX 4 POLE 12 GLAND AIR FILLED
3	THERMOMETER POCKET
4	LIQUID LEVEL GAUGE
5	JACKING ANGLES
6	EARTH TERMINAL (ONE EACH SIDE)
7	MAIN LIFTERS
8	SILICA GEL BREATHER (SUPPLIED LOOSE)
9	TAPPING SELECTOR CONTROL HANDLE (ENCLOSED IN COVER)
10	RATING AND DIAGRAM PLATE
11	1" BSP DRAIN VALVE AND PLUG
12	INTEGRAL TYPE RADIATOR, 1200 CENTRES, 6 PANELS
13	BASE SKIDS DRILLED FOR ROLLER AXLES
14	LIQUID FILLER PLATE

BOWERS JOB No.	-
OUTPUT	1500 kVA
VOLTAGE RATIO	11000 / 415
AMPERES	78.72 / 2086.8
PHASES	3
FREQUENCY	50Hz
VECTOR SYMBOL	Dyn11
ESTIMATED WEIGHTS	
CORE AND WINDINGS	2400
COOLING LIQUID 1145 LTRS	980
TOTAL WEIGHT	4240



This drawing is **COPYRIGHT** and the property of Bowers Electricals Ltd. It must not be copied (in whole or in part) without prior written consent of the company. ©

TOLERANCE UNLESS OTHERWISE STATED
 ± 5mm FOR DIMENSIONS UP TO 250mm;
 ± 10mm FOR DIMENSIONS UP TO 1000mm;
 ± 20mm FOR DIMENSIONS OVER 1000mm.

RevNo	Revision Note	Date	Signed	Checked

Bowers
 Electricals Ltd
 Heanor Gate Road,
 Heanor, Derbyshire. DE75 7GX
 Tel: 01773 531531 Fax: 01773 716171
 E-mail: enquiries@bowerselec.co.uk

Drawn by M.NEWTON	Checked by T.BARKS	Approved by A.V.HALL	Job No. STOCK	Date 03/12/16	Size A2
GENERAL ARRANGEMENT OF 1500kVA 11000/415v ONAN Dyn11 ALUMINIUM WOUND ECO TRANSFORMER			DRG No. BE7476		
FIRST ANGLE			Scale 1:20	Revision 0	Sheet 1/1