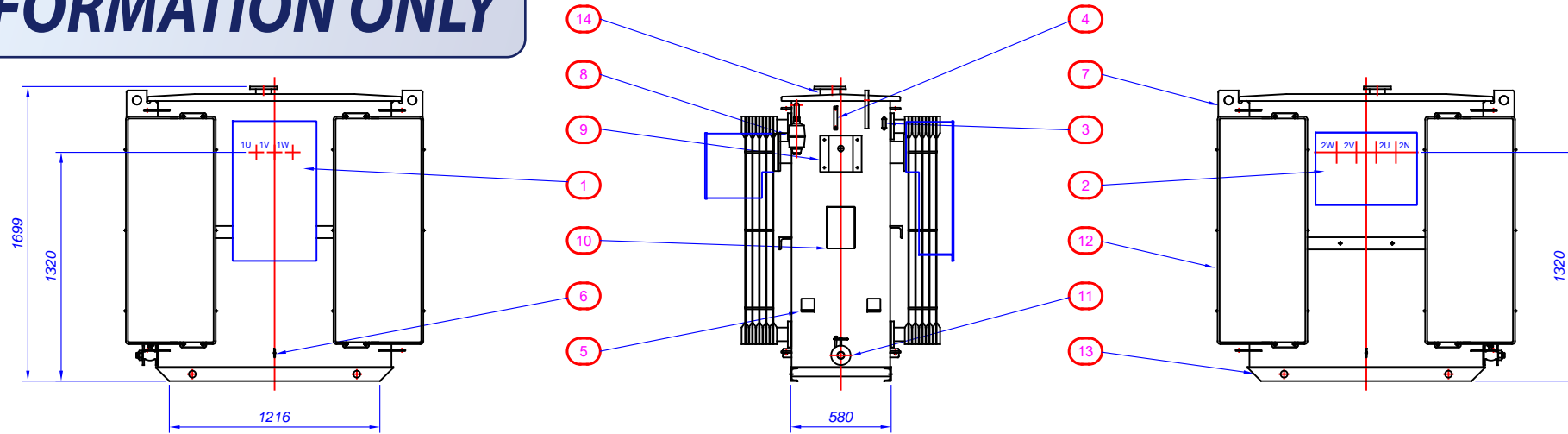
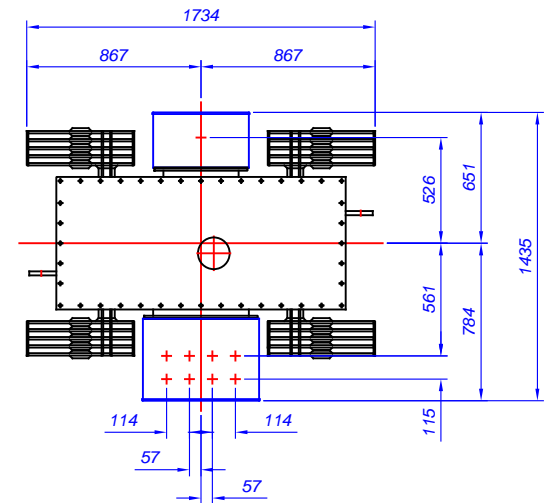
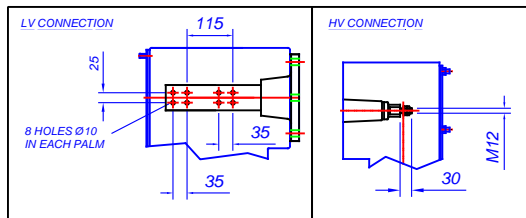


# INFORMATION ONLY



**NOT APPROVED**



ITEM	DESCRIPTION
1	HV CABLE BOX 3 POLE 1 GLAND (TERMINATION KIT REQD)
2	LV CABLE BOX 4 POLE 8 GLAND AIR FILLED
3	THERMOMETER POCKET
4	LIQUID LEVEL GAUGE
5	JACKING ANGLES
6	EARTH TERMINAL (ONE EACH SIDE)
7	MAIN LIFTERS
8	SILICA GEL BREATHER (SUPPLIED LOOSE)
9	TAPPING SELECTOR CONTROL HANDLE (ENCLOSED IN COVER)
10	RATING AND DIAGRAM PLATE
11	1" BSP DRAIN VALVE AND PLUG
12	INTEGRAL TYPE RADIATOR, 1200 CENTRES, 5 PANELS
13	BASE SKIDS DRILLED FOR ROLLER AXLES
14	LIQUID FILLER PLATE

BOWERS JOB No.	-
OUTPUT	1000 kVA
VOLTAGE RATIO	11000 / 415
AMPERES	52.49 / 1391
PHASES	3
FREQUENCY	50Hz
VECTOR SYMBOL	Dyn11

ESTIMATED WEIGHTS	KG
CORE AND WINDINGS	1840
COOLING LIQUID	747 LTRS
TOTAL WEIGHT	3200



This drawing is COPYRIGHT and the property of Bowers Electricals Ltd. It must not be copied (in whole or in part) without prior written consent of the company. ©

TOLERANCE UNLESS OTHERWISE STATED  
 ± 5mm FOR DIMENSIONS UP TO 250mm;  
 ± 10mm FOR DIMENSIONS UP TO 1000mm;  
 ± 20mm FOR DIMENSIONS OVER 1000mm.

RevNo	Revision Note	Date	Signed	Checked

**Bowers**  
 Electricals Ltd  
 Heanor Gate Road,  
 Heanor, Derbyshire, DE75 7GX  
 Tel: 01773 531531 Fax: 01773 716171  
 E-mail: enquiries@bowerselec.co.uk

Drawn by <b>M. NEWTON</b>	Checked by <b>T. BARKS</b>	Approved by <b>A.V. HALL</b>	Job No. <b>STOCK</b>	Date <b>02/12/16</b>	Size <b>A2</b>
GENERAL ARRANGEMENT OF 1000KVA 11000/415v ONAN Dyn11 ALUMINIUM WOUND ECO TRANSFORMER			<b>DRG No. BE7474</b>		
FIRST ANGLE			Scale <b>1:20</b>	Revision <b>0</b>	Sheet <b>1/1</b>